



TASMAN

NEW
ESSENTIAL
SLIDING
WINDOWS

A modern take on an old favourite

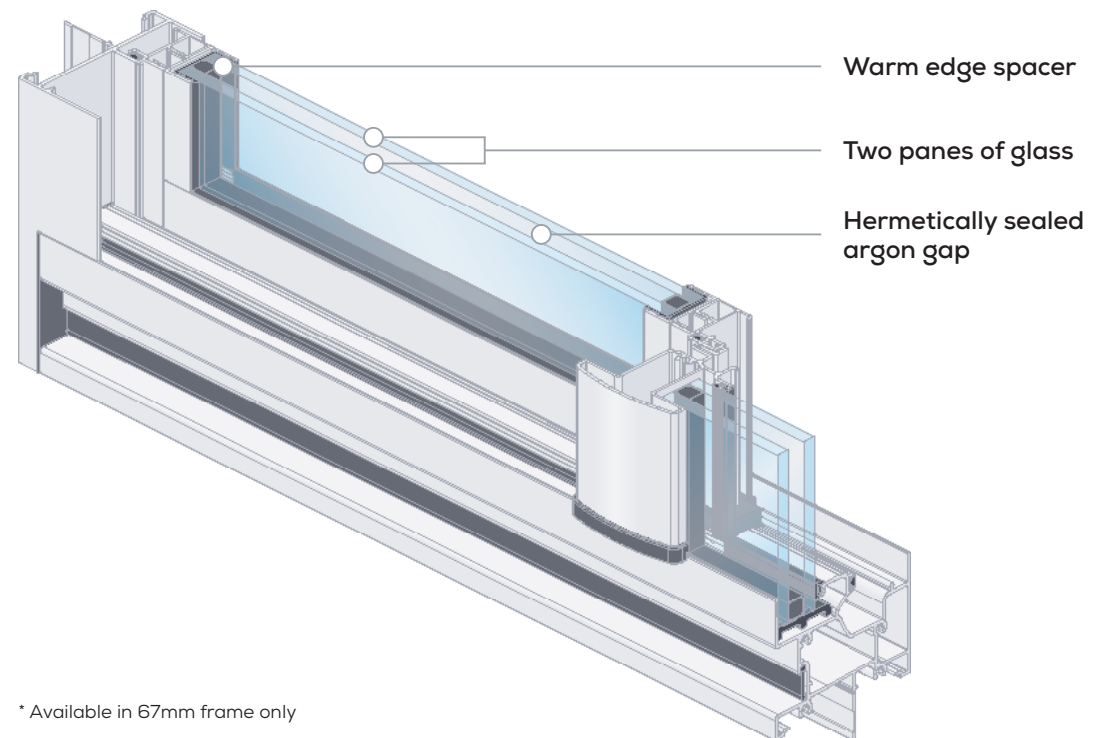
TASMAN
Windows & Doors

ESSENTIAL SLIDING WINDOW

RANGE

Our **NEW Essential Sliding Window** range is a modern take on a traditional favourite – one that's sure to suit your home. Secure, easy to operate and easy on the eyes, this new range is packed full of features and benefits including optional double glazing.

High-Performance Double Glazing*



* Available in 67mm frame only

Other Features

Lifestyle & Comfort

- Can be used as a servery window
- Wide openings invite fresh air into your home
- Easy to clean wide track that can fit most vacuum heads
- Can be used as a kitchen splashback to bring in more light and ventilation
- Safety-first design with no exposed sharp edges

Optional

- Wide range of screening solutions available
- Key lockable handle for extra security
- Keys can be 'keyed alike' with Bradnam's doors for convenience*
- Openings can be restricted for upper storey windows

Design & Aesthetic

- Stylish and modern handle
- Available in a range of lifestyle configurations
- Curtain-friendly design protects window furnishings from sharp edges
- Architectural symmetry with other Bradnam's windows and doors

Performance & Reliability

- Fully compliant with Australian Standards
- Effortless operation with high-performance, adjustable rollers
- Protection against the elements with high-quality window seals
- Built-in 'sill baffle' minimises the amount of noise getting inside the house
- Anti-lift safeguards prevent manipulation of sashes from the outside

Optional

- Bushfire rated – certified up to BAL 40
- Reduce outside noise by incorporating our Sound Smart™ system
- Suitable for cyclonic regions

Performance Parameters

	52mm Frame	67mm Frame
Maximum window height (with transoms)	3225mm	3225mm
Maximum window height (without transoms)	1550mm	1550mm
Maximum window width	4820mm	4820mm
Maximum panel width	1445mm	1445mm
Maximum panel weight	30kg	50kg
Maximum water rating	450Pa	450Pa
Maximum wind rating	5900Pa ULS	5900Pa ULS
Maximum glass thickness (single glazed)	6.76mm	6.76mm
Maximum glass thickness (double glazed)	N/A	18mm
Maximum acoustic rating	Rw32	Rw33
Maximum bushfire rating	BAL 40	BAL 40
Lowest U-value (single glazed)	4.5	4.6
Lowest U-value (double glazed)	N/A	3.0

* Excludes patio bolts and commercial hinged & pivot doors



**For more information contact:
Tasman Windows & Doors**

PH: (02) 6495 6686

www.tasmanwindows.com

Email: sales@tasmanwindows.com

WINDOWS & DOORS

INSECT & SECURITY SCREENS

SHOWER SCREENS

MIRRORS & WARDROBES

GLASS SPLASHBACKS & SHELVING



Australian Owned & Made

Bradnam's products are proudly made in Australia and designed specifically to meet all Australian conditions.

Product availability, pricing, features, options, sizes, configurations and performance are subject to regional variations, design requirements and building codes.

Images are for illustration purposes only and may not accurately represent the product. Bradnam's Windows & Doors reserves the right to change, alter or delete any aspect of this product without notice.

We recommend visiting a Bradnam's showroom before ordering to view colour swatches, glass samples and actual products.

TASMAN
Windows & Doors

7 McPherson Circuit, Pambula, NSW, 2549



Bradnam's Windows and Doors . QBCC Act lic 58885
© Bradnam's Windows and Doors . v1 Mar 2021